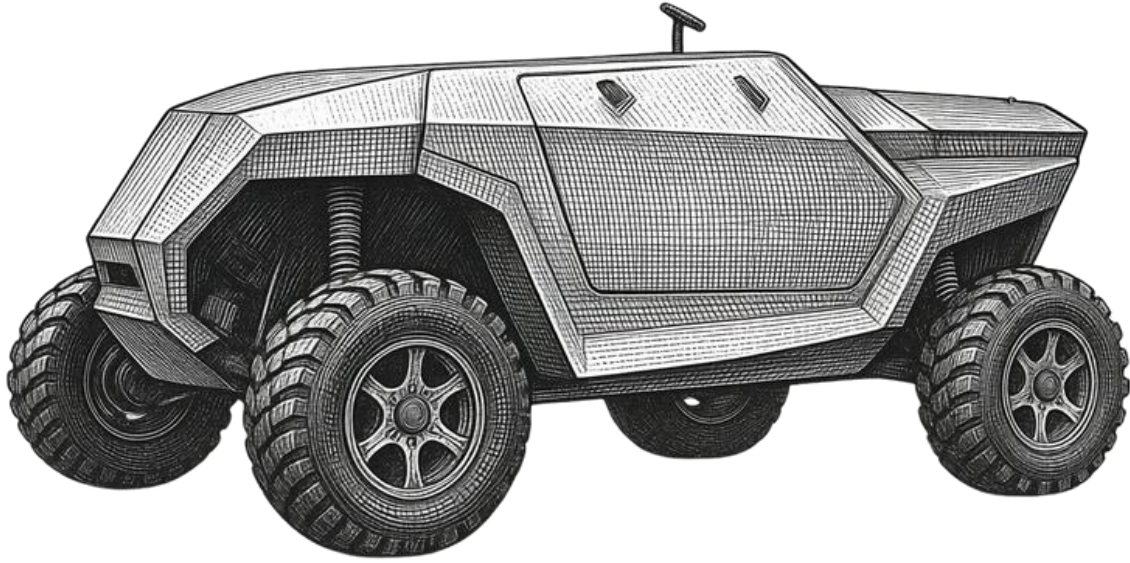


KANGAL



EVEN FOR
EXTREME
OFF-ROAD
CONDITION
S

- ✓ Extended Operational Range up to 500 KM
- ✓ Optimized powertrain with CVT transmission
- ✓ Autonomous Unmanned



Key Features

SPEED & RANGE

80 km/h & 500km (loaded)

CHASIS

Tubular Steel

WHEEL BASE

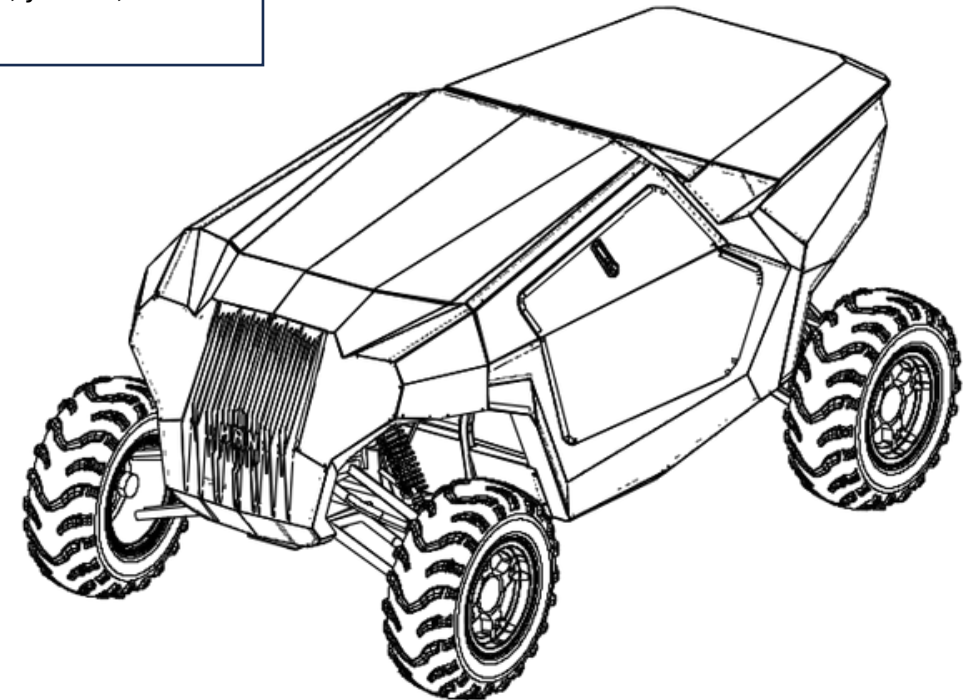
2040 mm

SUSPENSION

Double Swing-Arm
(front & rear)

DIMENSION (MM)

x:3150, y:1510, z:3100



- ✔ Compatible with multiple UAV and UGV operations
- ✔ 85 L Fuel Capacity
- ✔ 300 kg Payload Capacity for Multi-Role Operations